



## Electric heater HIVE WOOD

**HIVE WOOD** has taken the ancient wisdom of building sauna stoves to a new level. It is designed for more efficient wood burning.

The most sensitive component of the wood-fired stove, the flame tamer, is made of thick stainless steel and is exceptionally durable. The high-capacity stove features a cast iron furnace door, is treated with only natural oils, and has a 5-year guarantee.

### ALSO REQUIRED:

- Stones

### OPTIONS:

- Floor protector
- 'Long Snout' extension
- Hive heat reflector



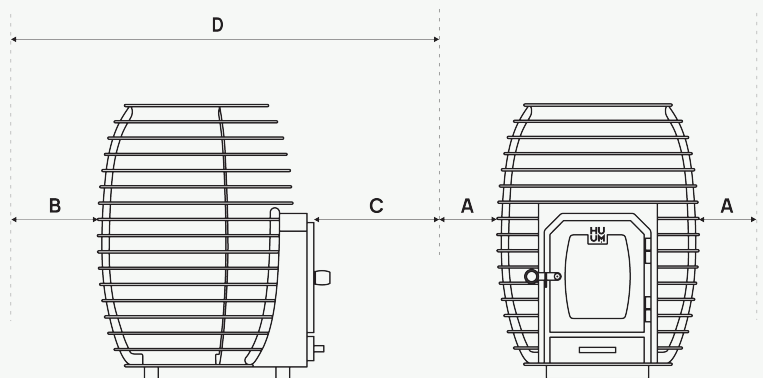
(17kw LS)

## HIVE WOOD technical data

HEATER	13kW	17kW	17kW LS
Sauna room	6 - 13 m <sup>3</sup>	8 - 16 m <sup>3</sup>	8 - 16 m <sup>3</sup>
Stone capacity	90 kg	130 kg	130 kg
Weight	47 kg	65kg	77 kg
Height	750 mm	750 mm	750 mm
Width	450 mm	555 mm	555 mm
Depth	460 mm	590 mm	740 mm
Firewood max	300 mm	400 mm	400 mm
Flue diameter	115 mm	115 mm	115 mm

### SAFETY DISTANCE \*

A	190 mm	500 mm	500 mm
B	250 mm	500 mm	500 mm
C	900 mm	1000 mm	1000 mm
D	1610 mm	2090 mm	2240 mm



\* In case the heater is installed near combustible material and necessary safety distance cannot be guaranteed, use a heat reflector to reduce the safety distance by half.

© ALL RIGHTS RESERVED - HUUM Sauna OÜ 2020



wellnesswares

Version 1.1: Updated 7/2/2023